



Our Instructions for Perfect Wave Pleats

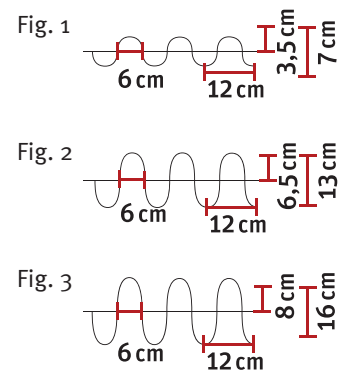
Variant A with Glider Distance of 6 cm:



Fullness Ratio	Dept of Pleat in cm	Frontside/ Backside in cm	Repeat in mm	Glider all in cm	1st Glider in cm
1:1,5 (see Fig. 1)	7	3,5/3,5	90	9	5*
1:2,0	10	5/5	120	12	6
1:2,0	10	6/4	240	14/10	7
1:2,5 (see Fig. 2)	13	6,5/6,5	150	15	8*
1:2,5	13	8/5	300	18/12	9
1:3,0 (see Fig. 3)	16	8/8	180	18	9
1:3,0	16	10/6	360	22/14	11

* The return will be 0,5cm longer than the other pleats.

Examples of technical illustrations:



Variant B with Glider Distance of 8 cm:

Fullness Ratio	Dept of Pleat in cm	Frontside/ Backside in cm	Repeat in mm	Glider all in cm	1st Glider in cm
1:1,5 (see Fig. 1)	10	6/4	240	14/10	7
1:1,5 (see Fig. 2)	10	5/5	120	12	6
1:1,75	12	8/4	280	18/10	9
1:1,75	12	7/5	280	16/12	8
1:1,75 (see Fig. 3)	12	6/6	140	14	7
1:2,0 (see Fig. 4)	14	9/5	320	20/12	10
1:2,0	14	8/6	320	18/14	9
1:2,0 (see Fig. 5)	14	7/7	160	16	7
1:2,25	16	10/6	360	22/14	11
1:2,25	16	9/7	360	20/16	10
1:2,25	16	8/8	180	18	9
1:2,5	18	9/9	200	20	10
1:2,75	20	10/10	220	22	11
1:3,0 (see Fig. 6)	22	11/11	240	24	12

Examples of technical illustrations:

